



# A<sub>1</sub>

Steam Traps  
PN 40  
DN 15, 20, 25  
½", ¾", 1"

BK 45 and BK 45U



## GESTRA GmbH

P.O. Box 10 54 60, D-28054 Bremen  
Hemmstraße 130, D-28215 Bremen  
Tel. +49 (0) 421 3503-0, Fax -393  
E-mail gestra.gmbh@gestra.de  
Internet www.gestra.de



Flow Control Division

### Capacity Charts

The charts show the maximum capacities for hot and cold condensate.

#### Curve 1

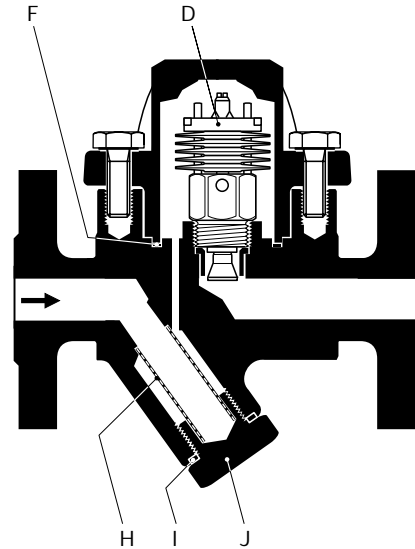
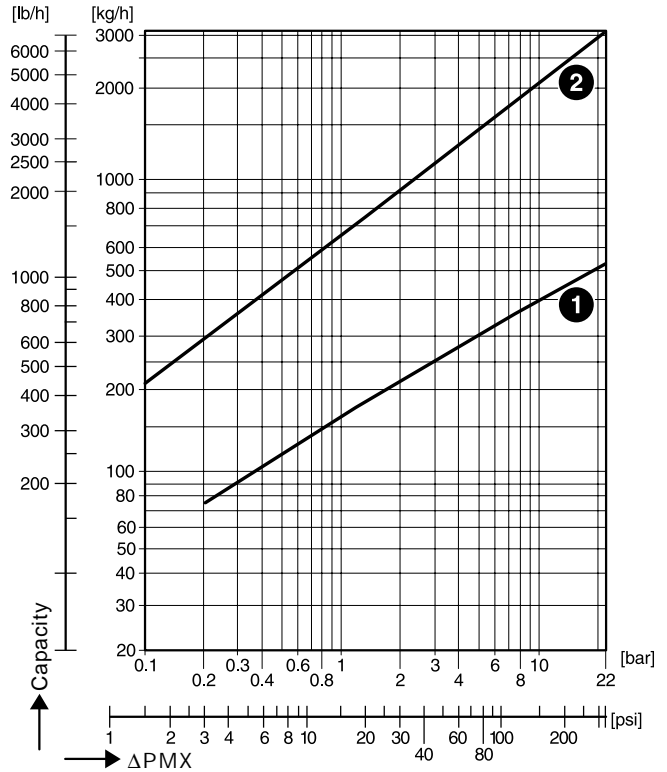
Curve 1 indicates the max. capacity of hot condensate that the BK 45 having a standard regulator can discharge with virtually no banking-up.

The BK 45U (undercooling) discharges the condensate when it is approx. 30 K (degC) below saturation temperature (banking-up of condensate).

#### Curve 2

Curve 2 shows the max. capacity of cold condensate that the BK 45 and BK 45U can discharge (condensate temperature 20 °C).

### Capacity Chart for BK 45 and BK 45U



### When ordering please state:

Steam pressure, back pressure, quantity of condensate to be discharged, type, size, connections, mounting position of the trap, and details of application.

The following test certificates can be issued on request, at extra cost:

In accordance with EN 10204 - 2.2 and -3.1 B.

All inspection requirements have to be stated with the order. After supply of the equipment certificates can no longer be established. Charges and extent of the above mentioned certificates as well as the different tests confirmed therein are listed in our price list "Test and Inspection Charges for Standard Equipment".

For other tests and inspections than those listed above, please consult us.

Supply in accordance with our general terms of business.

Technical modifications reserved.

© 1998 GESTRA GmbH · BREMEN · Printed in Germany  
810436-01/1100c

### Standard Spare Parts

Item. No.	Designation	Order No.	
		BK 45	BK 45U
D, F	Regulator, complete including cover gasket	375234	375235
H, I, J	Strainer set, complete	375113	375113
F*)	Cover gasket (set with 50 items <sup>1)</sup> )	375159	375159
I*)	Strainer gasket (set with 50 items <sup>1)</sup> )	375162	375162

\*) Parts subject to wear

<sup>1)</sup> Contact your local dealer for smaller quantities.



GESTRA® Steam Trap

RHOMBUSline®

BK 46

International patents



Issue Date: 11/00

Steam Traps

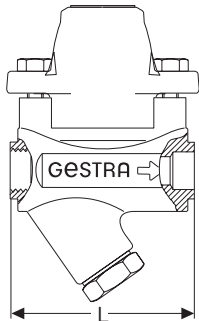
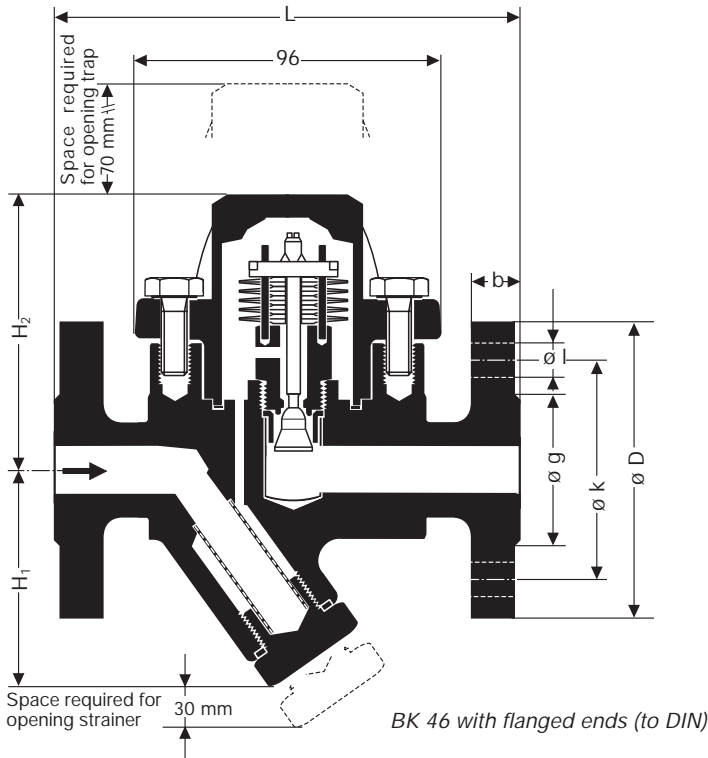
PN 40

DN 15, 20, 25

½", ¾", 1"

BK 46

A1



*BK 46 with screwed sockets socket-weld ends*

Dimensions and Weights	End connections					
	Flanged			Screwed Socket-weld		
Nominal sizes [mm] [inch]	15 ½	20 ¾	25 1	15 ½	20 ¾	25 1
Dimensions [mm]	L	150	150	160	95	
	H1		70		70	
	H2		88		88	
Approx. weight kg	3.7	4.3	4.8	2.2	2.1	2.0

Flange dimensions	End connections									
	DIN			CL 150			CL 300			
Flange dimensions	D	95	105	115	88.9	98.4	107.9	95.2	117.5	123.8
	b	16	18	18	11.1	12.7	14.3	14.3	15.9	17.5
	k	65	75	85	60.3	69.8	79.4	66.7	82.5	88.9
	g	45	58	68	34.9	42.9	50.8	34.9	42.9	50.8
	l	14	14	14	15.9	15.9	15.9	15.9	19.0	19.0
Number of bolts		4	4	4	4	4	4	4	4	4



**Thermostatic steam trap** with corrosion-resistant thermostatic element (Duo stainless steel bimetallic regulator) unaffected by water-hammer.

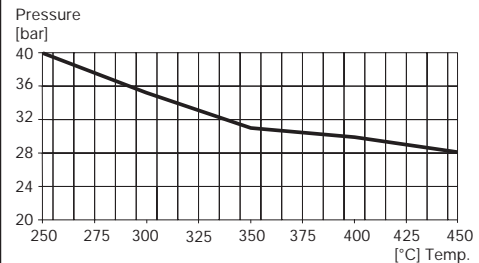
Y-type strainer, non-return valve and asbestos-free cover gasket (graphite) included **as standard** to guarantee extended service life of the trap.

The traps with standard regulator discharge the condensate with virtually no banking-up. Automatic air-venting at start-up and during operation.

**Application:** Draining of saturated steam and superheated steam lines and steam tracers. Can also be used for air-venting.

**Installation** in any position. When installed in horizontal pipes the cover must be on top.

Pressure/Temperature Ratings				
Max. service pressure	[barg] [psig]	35 508	32 464	28 406
Related temperature	[°C] [°F]	300 572	335 634	450 842
Max. differential pressure (inlet pressure minus outlet pressure)		32 barg (464 psig)		



Materials	DIN reference	ASTM equivalent <sup>1)</sup>
Body, cover	15 Mo 3 (1.5415)	A 182 F1
Screws	42 CrMo 4 (1.7225)	A 193 B7
Bimetallic regulator	Stainless steel	
Other internals	Stainless steel	

<sup>1)</sup> Physical and chemical properties comply with DIN grade. ASTM nearest equivalent grade is stated for guidance only.

**Connections**

Flanges: DIN, PN 40  
ASME Class 150 and 300  
Screwed sockets: BSP or NPT  
Socket-weld ends

# A<sub>1</sub>

Steam Traps  
PN 40  
DN 15, 20, 25  
½", ¾", 1"

BK 46



## GESTRA GmbH

P.O. Box 10 54 60, D-28054 Bremen  
Hemmstraße 130, D-28215 Bremen  
Tel. +49 (0) 421 3503-0, Fax -393  
E-mail gestra.gmbh@gestra.de  
Internet www.gestra.de



Flow Control Division

### Capacity Charts

The charts show the maximum capacities for hot and cold condensate.

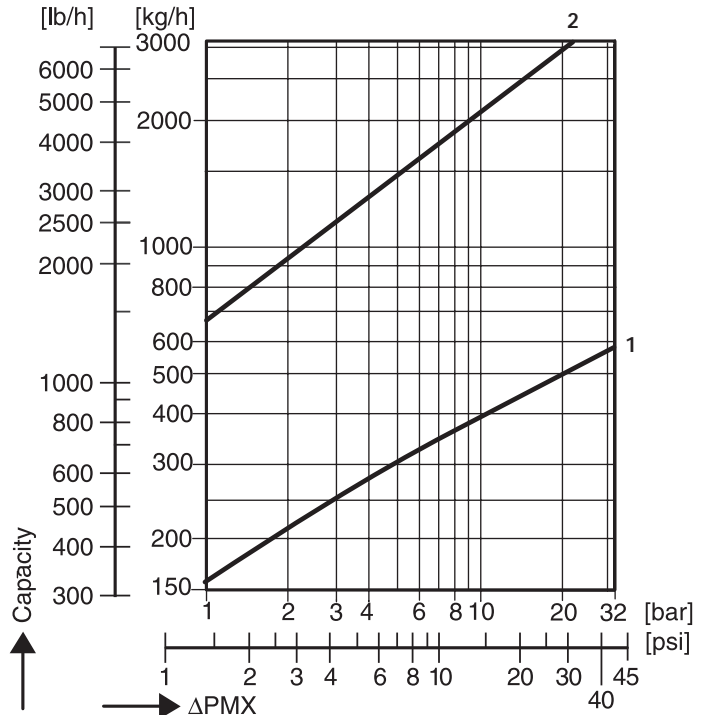
#### Curve 1

This curve indicates the max. capacity of hot condensate that the BK 46 can discharge with virtually no banking-up.

#### Curve 2

Curve 2 shows the max. capacity of cold condensate that the BK 46 can discharge (condensate temperature 20 °C).

### Capacity Chart for BK 46



### When ordering please state:

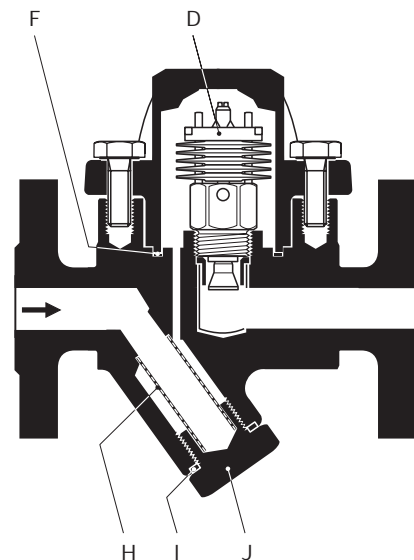
Steam pressure, back pressure, quantity of condensate to be discharged, type, size, connections, mounting position of the trap, and details of application.

The following test certificates can be issued on request, at extra cost:

In accordance with DIN EN 10204 -2.2 and -3.1B.

All inspection requirements have to be stated with the order. After supply of the equipment certificates can no longer be established. Charges and extent of the above mentioned certificates as well as the different tests confirmed therein are listed in our price list "Test and Inspection Charges for Standard Equipment".

For other tests and inspections than those listed above, please consult us.



### Standard Spare Parts

Item	Designation	Order No.
D, F	Regulator, complete including cover gasket	375464
H, I, J	Strainer set, complete	375113
F*)	Cover gasket, set with 50 items <sup>1)</sup>	375159
I*)	Strainer gasket, set with 50 items <sup>1)</sup>	375162

\*) Parts subject to wear

<sup>1)</sup> Contact your local dealer for smaller quantities

Supply in accordance with our general terms of business.

Technical modifications reserved.



## Steam Trap

### RHOMBUSline® UBK 46

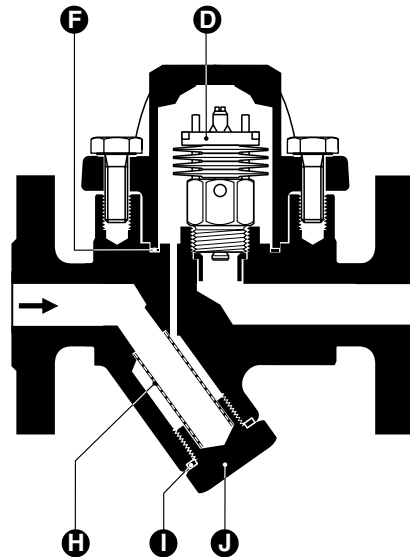
PN 40, DN 15, 20, 25 (½", ¾", 1")

#### Table of Capacities

The capacities indicated in the table assume factory setting and no back pressure (discharge to atmosphere).

#### Capacities and Opening Temperatures

Max. service pressure	[barg] [psig]	1 14.5	2 29	4 58	8 116	12 174	16 232	20 290	26 377	32 464
Opening temperature (factory setting)	[°C] [°F]	72 162	74 165	78 172	85 185	89 192	93 199	97 206	103 217	109 228
Capacity at Δt 10 K below opening temperature	[kg/h]	94	113	136	164	184	198	211	226	239
Cold condensate capacity at 20 °C (start-up capacity)	[kg/h]	267	390	570	832	1039	1215	1373	1584	1774



#### When ordering please state:

Steam pressure, back pressure, quantity of condensate to be discharged, type, size, connections, mounting position of the trap, and details of application.

The following test certificates can be issued on request, at extra cost:

In accordance with EN 10204 -2.2 and -3.1 B.

All inspection requirements have to be stated with the order. After supply of the equipment certificates can no longer be established. Charges and extent of the above mentioned certificates as well as the different tests confirmed therein are listed in our price list "Test and Inspection Charges for Standard Equipment".

For other tests and inspections than those listed above, please consult us.

Supply in accordance with our general terms of business.

#### Spare Parts

Item	Designation	Ref. No.
D F	Regulator with cover gasket	375 324
F	Cover gasket*) 40 x 48 x 2, graphite	375 159
H I J	Strainer set, complete	375 113
I	Strainer gasket*) A24 x 29, stainless steel	375 162

\*) Minimum order quantity 50 items. Contact your local dealer for smaller quantities.

## GESTRA AG

P.O. Box 10 54 60, D-28054 Bremen

Münchener Str. 77, D-28215 Bremen

Tel. +49 (0) 421 35 03 - 0, Fax +49 (0) 421 35 03 - 393

E-Mail [gestra.ag@flowserve.com](mailto:gestra.ag@flowserve.com), Internet [www.gestra.de](http://www.gestra.de)

