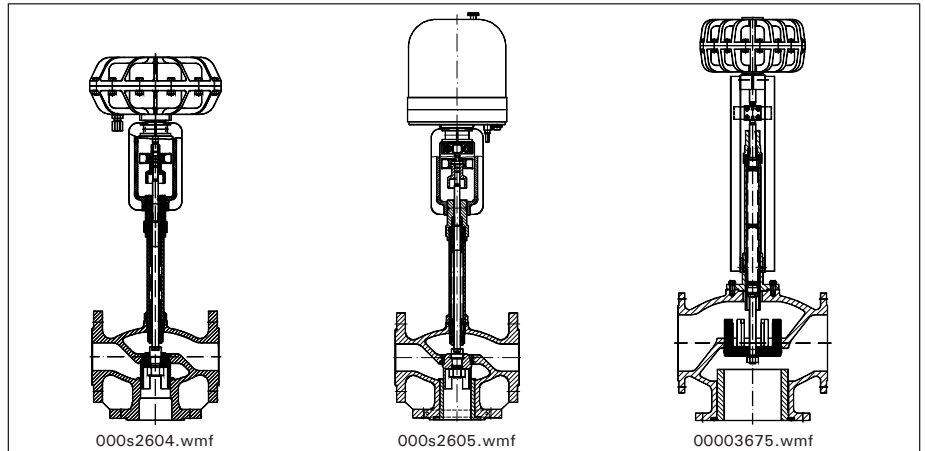


**Bälz-electrodyn - 3-way bellows control valve**

**Hot oil bellows valve series baelz 342-BK-SS, 347-BK-SS, 347-BBK-SS**

**Assuredly the best valve serie for hot oil systems**

**Checklist:**  
 ND: 15 - 300  
 NP: 16 / 25 / 40  
 standard body:  
 342 / 347:  
 NP 16 + NP 25:  
 GJS-400-18-LT (GGG 40.3)  
 NP 40:  
 GP240GH (GS-C25)  
 temperatures:  
 min.: -10°C  
 max.: +350°C  
 342: 3-way valve,  
 3<sup>rd</sup>-way B not tight  
 347: 3-way, 3<sup>rd</sup>-way B tight



342-BK-SS-373-P21

347-BK-SS-373-E40

347-BBK-SS-373-P31

ND	15	20	25	32	40	50	65	80	100	125	150	200	250	300		
Kvs	2,0	3,0	5,6	6,3	9	16	25	36	63	105	130	200	360	580	960	1340

Short presentation of all electric and pneumatic actuators see BPE 18



342-BK-SS-DN32-P21-IP86.JPG

baelz 342-BK-SS with 373-P21 and IP86



342-BK-SS-DN32-E07.JPG

baelz 342-BK-SS with 373-E07

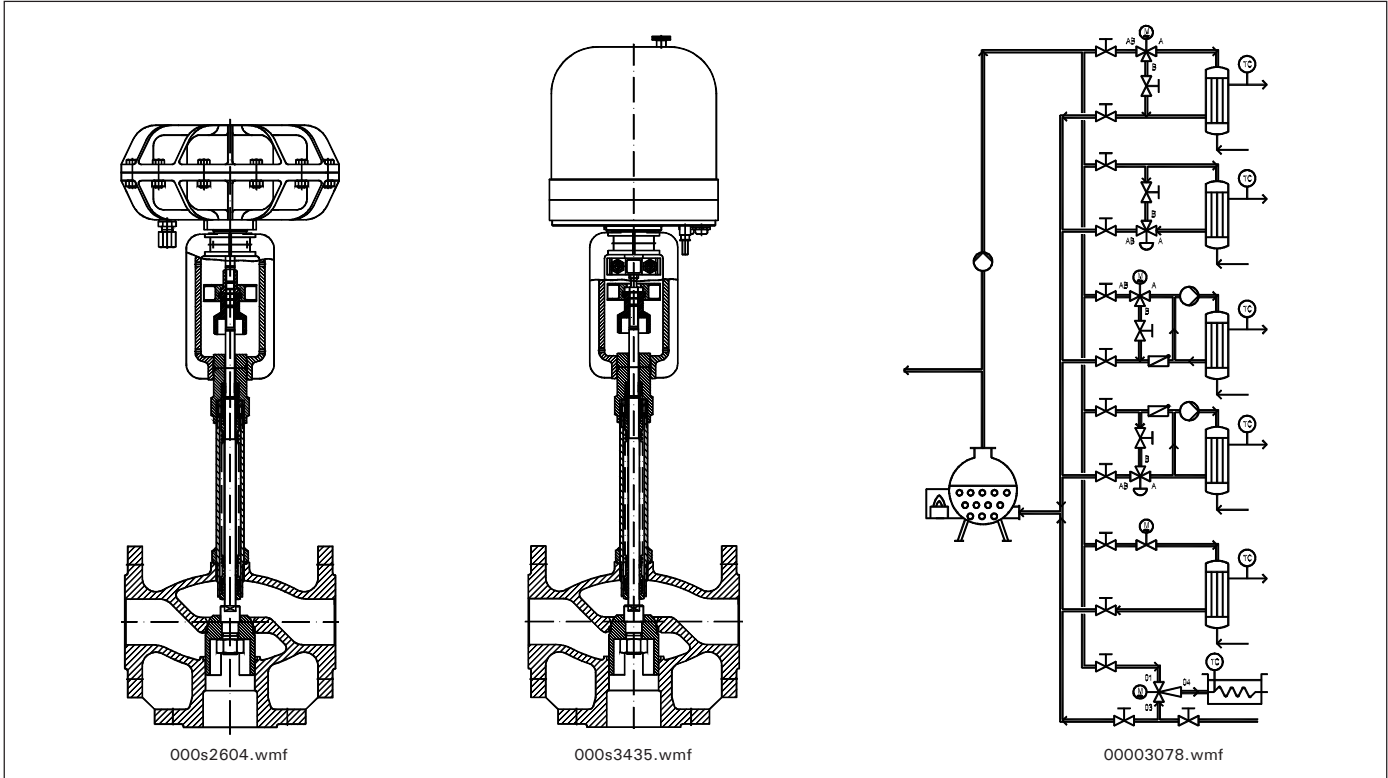


347-BBK-SS-5441311.JPG

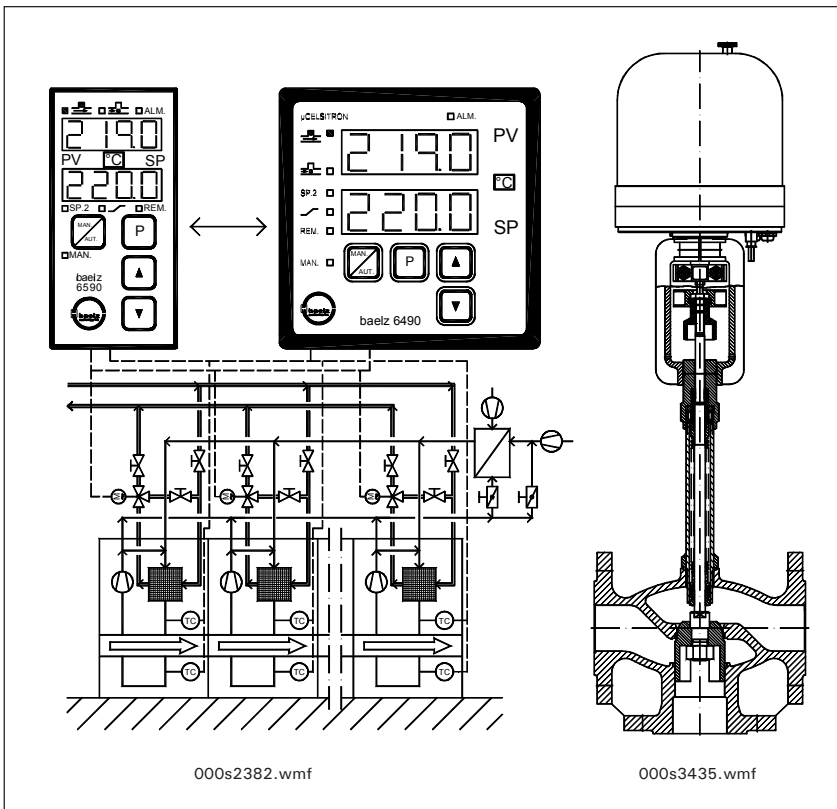
baelz 347-BBK-SS with 373-P41-V

**Bälz-electrodyn - 3-way bellows control valve**

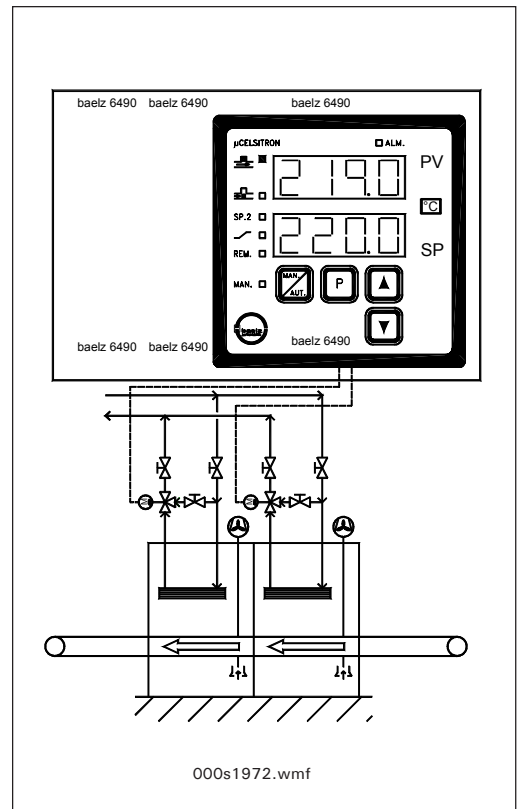
Hot oil control loops with 3-way valves with stainless steel bellows as mixing valves



Motorized and pneumatic hot oil valves and hot oil system lay out



On textile dryers / stenters as mixing valves



On bakery ovens

Rights reserved to make technical changes