

# Gestra® Steam Trap • Thermodynamic Steam Trap

**DK 47**

**609**  
psi  
Maximum Δp  
(42 bar)

**Class Rating:** ANSI 600

**Available Sizes:** 3/8", 1/2", 3/4" and 1"  
(DN 10, 15, 20 and 25)

**Application**

The DK 47 steam trap is used for low capacity applications such as distribution line drips and tracers.

**Trap Types**

DK 47L: Trap is available in 3/8" to 1" body sizes. All body sizes have the same low condensate capacity.

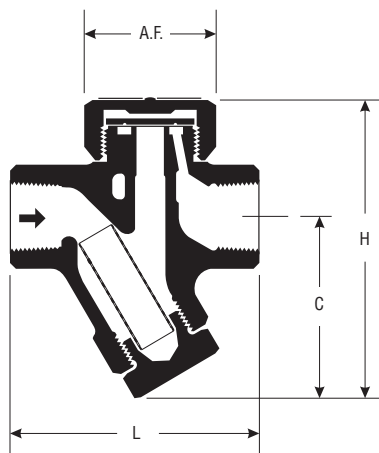
DK 47H: Trap is available in 1/2" to 1" body sizes. The condensate capacity increases with the larger body size.

**Features and Benefits**

- Stainless steel body.
- End-to-end dimensions identical to most competitive models.
- Unaffected by water hammer or superheat – solid stainless steel internals.
- Operates with up to 80% back pressure (based on absolute pressures).
- Cyclical discharge eases audible / visual performance checking.
- Horizontal orientation suggested for maximum performance.
- Internal stainless steel strainer.

**Materials**

- Body – ASTM A743 CA40F (DIN 1.4027)
- Cap – AISI 420 (DIN 1.4021)
- Disc – AISI 420 (DIN 1.4021)
- Other Internals – Stainless Steel



Dimensions and Weights		End Connection			
		Screwed			
Nominal Sizes	[inch]	<b>3/8</b>	<b>1/2</b>	<b>3/4</b>	<b>1</b>
	[mm]	10	15	20	25
Dimensions	C [inch]	<b>2.5</b>	<b>2.5</b>	<b>2.7</b>	<b>2.8</b>
	[mm]	64	64	68	72
	L [inch]	<b>3.1</b>	<b>3.1</b>	<b>3.5</b>	<b>3.7</b>
	[mm]	78	78	90	95
	H [inch]	<b>4.1</b>	<b>4.1</b>	<b>4.4</b>	<b>4.9</b>
	[mm]	104	104	111	124
	A.F. [inch]	<b>4.1</b>	<b>1.6</b>	<b>1.6</b>	<b>2.2</b>
	[mm]	36	41	41	55
Approx. Weight	[lbs]	<b>1.7</b>	<b>1.7</b>	<b>2.2</b>	<b>3.5</b>
	[kg]	0.8	0.8	1.0	1.6

**609**

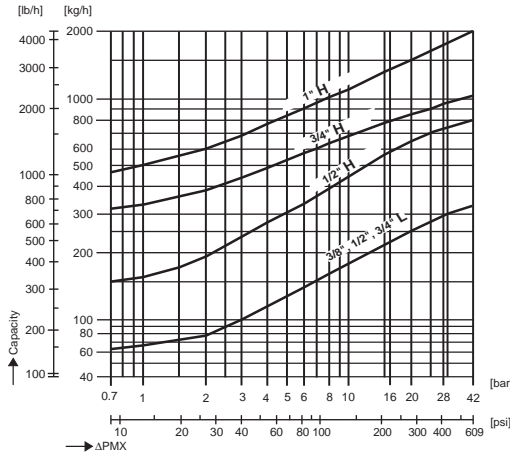
psi  
Maximum  $\Delta p$   
(42 bar)

**Gestra® Steam Trap •  
Thermodynamic Steam Trap**

**DK 47**

**Class Rating:** ANSI 600

**Available Sizes:** 3/8", 1/2", 3/4" and 1"  
(DN 10, 15, 20 and 25)



**Capacity Charts**

The capacity chart shows the maximum capacities for hot condensate. The capacities are a function of differential pressure or the difference between inlet and outlet pressures for the trap.

The set of curves show the capacity for each type of steam trap in the DK 47 series. The 'L' denotes low capacity, where traps with different end connection sizes all have the same low capacity. The 'H' denotes high capacity, where the trap capacity increases with increasing end connection size.

The curves show the maximum capacity when discharging hot or cold condensate.

For example, at a differential pressure of **100 psi**, the maximum hot capacity of the 1/2" DK 47 **H** is approximately **880 lb/h**.

**Material/Test Certificates**

All inspection requirements must be stated at time of order. Test certificates can be issued on request in accordance with EN 10204 – 2.2 and -3.1B. Body and Cap heat codes are required.

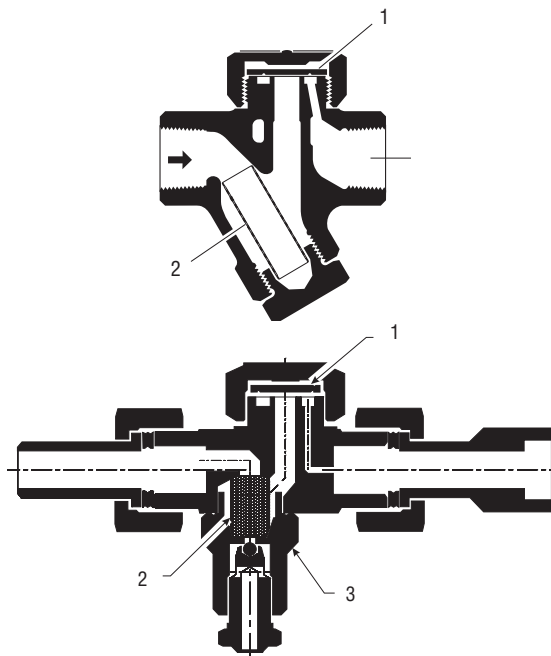
**Available End Connections**

Screwed sockets: NPT, BSP

**How to Order**

Specify trap and end connection size.

For Example: DK 47H 1/2" NPT



Standard Spare Parts			
Item Number	Description	Screwed	Butt-Weld Socket-Weld
1	Disc		
	3/8" - 1" L	372708	—
	1/2" H	372716	999716
	3/4" H	372724	999717
	1" H	372733	999718
2	Strainer	372710	999710
3	Blow-off Valve	—	999711